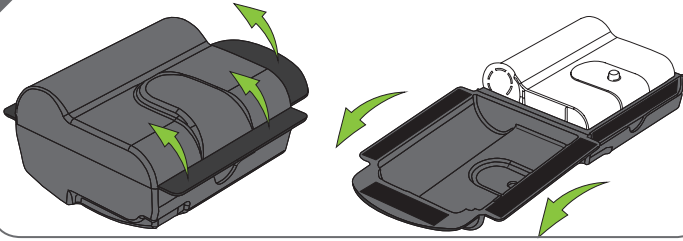




QUICK START GUIDE

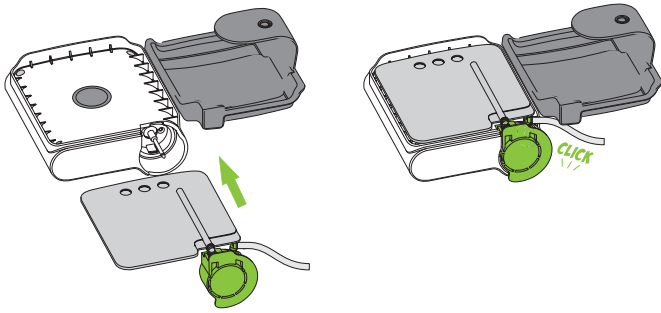
SETTING UP NEXA

1 REMOVE NEXA DEVICE FROM CARRY CASE

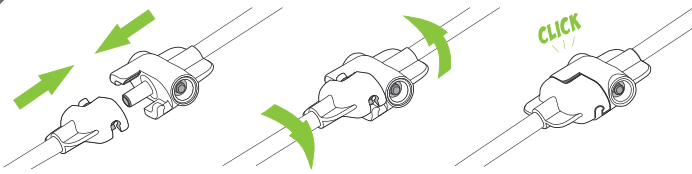


2 OPEN GREY COVER & INSERT FLUID CONTAINER PACK

Insert in the orientation shown. Push firmly until it clicks.



5 CONNECT THE DRESSING TO THE FLUID CONTAINER



Push together

Twist

The connector will click when engaged

6 POSITION NEXA DEVICE FOR USE

- For best performance and to enable the maximum fluid containment of 125ml, use NEXA **UPRIGHT**, even in the Carry Case.
- Use the buckles and straps to attach to a bed rail or headboard.

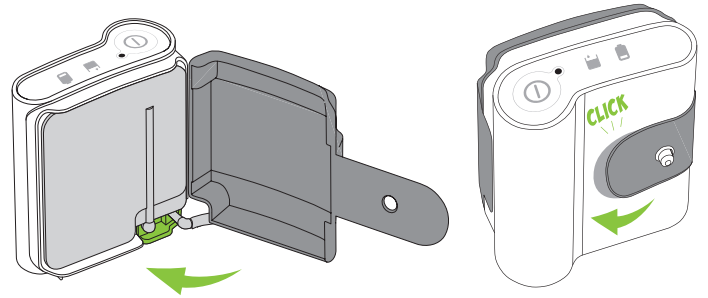
7 PRESS THE ON/OFF BUTTON TO START THE DEVICE

NEXA is ON when the green light is ON

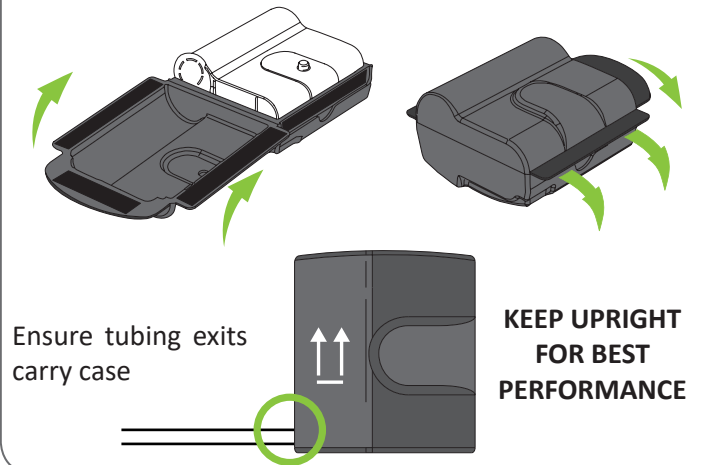


3 CLOSE GREY COVER

Close the grey cover & latch the strap to the case



4 REPLACE DEVICE INTO CARRY CASE AND SECURE VELCRO TABS.



8 OPERATION

- The Nexa Device will start and run for 3 minutes at a high speed to enable pull down of the Dressing.
- After 3 minutes the Device will slow and run continuously.
- A fully charged Nexa Device will run for approximately 10 hrs before requiring charging.

CHARGING NEXA

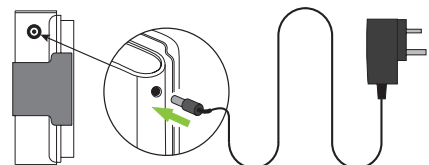
9 BATTERY LOW INDICATION

The battery is LOW when the orange light is ON



10 CHARGING NEXA

Insert the NEXA charger into the socket. If NEXA is off, press the ON button and the charging light will flash.



Battery is CHARGING when the orange light FLASHES



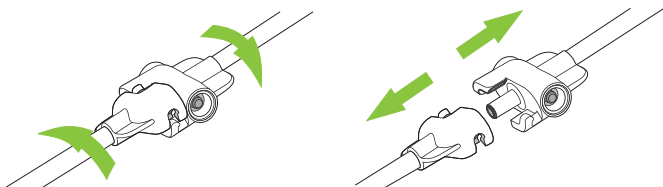
CHANGING THE FLUID CONTAINER

11 FLUID CONTAINER FULL

The Fluid Container is FULL or the STRAP is not engaged when the RED light is ON



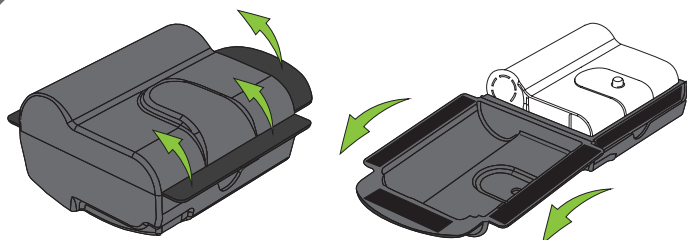
12 DISCONNECT FLUID CONTAINER FROM DRESSING



Twist to release

Pull apart

13 REMOVE NEXA DEVICE FROM CARRY CASE



TROUBLESHOOTING

DEVICE WON'T START

- Check battery is charged or charger is plugged in correctly and switched on at the mains.
- Check grey strap is secured and there are no red lights

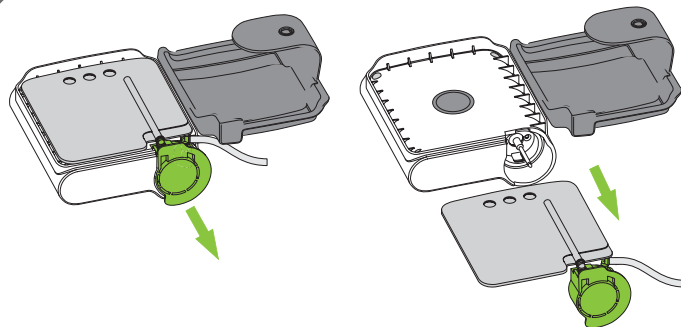
DRESSING LEAK

- The NEXA DEVICE does not have a leak alarm. The Dynamic Fluid Technology will continue to remove wound fluid irrespective of vacuum levels. This will reduce the potential for skin maceration.
- Observe the foam to determine if there is a leak and have the dressing changed at the next healthcare visit.

BLOCKAGES

A blockage will also cause the device to make an uncharacteristic slapping noise.
To resolve a blockage, check that there is no kinking in the tubing or the tube is occluded.
If there is, either straighten the kink or replace the dressing and/or Fluid Container Pack.

14 OPEN GREY COVER & REMOVE FLUID CONTAINER



Pull firmly on the green pump head to remove.

15 REPEAT STEPS 1-5 TO INSERT NEW FLUID CONTAINER

CHANGING THE DRESSING

16 CHANGING THE DRESSING

The NEXA DRESSING is intended to be changed by a health care professional or carer who has experience with wound dressings.
Please refer to the Instructions For Use that is supplied with the NEXA DEVICE for more information.

DAYS REMAINING FEATURE

17 Open the grey cover, press and hold the grey button whilst pressing and holding the power button for 8 seconds.

The red light will indicate the number of 10 days and the orange light will indicate the single days.

i.e. 4 red flashes and 2 orange flashes = 42 days remaining.

CONTACT INFORMATION



Nexa Medical Limited
Suite 5-6 Willow View, Southfields,
Church Lane, Bournemouth BH22 8TR. UK

Website: www.nexamedical.com
Email: info@nexamedical.com

CONSULT THE INSTRUCTIONS FOR USE

For a comprehensive manual and important safety information, refer to the Instructions For Use which is provided with the NEXA DEVICE.

For further product information, contact a NEXA representative.
For medical questions, contact your doctor, nurse or caregiver.

All trademarks designated herein are property of Nexa Medical Limited and its licensors.



414-06-003 rev C 01/20